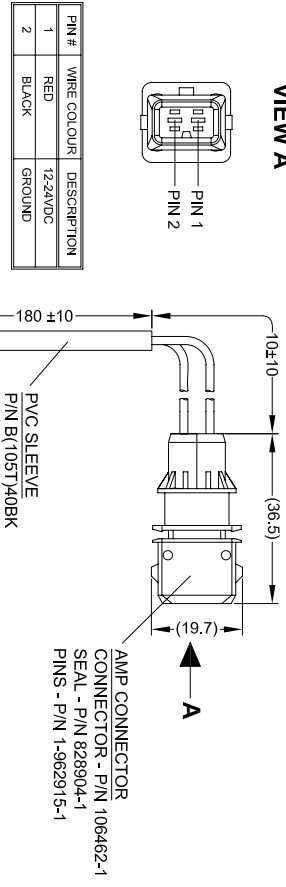


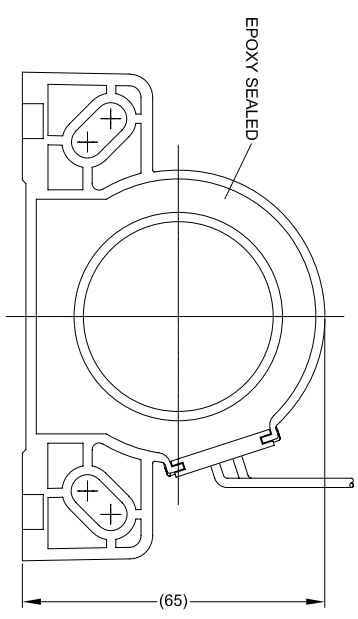
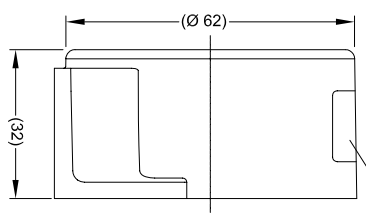
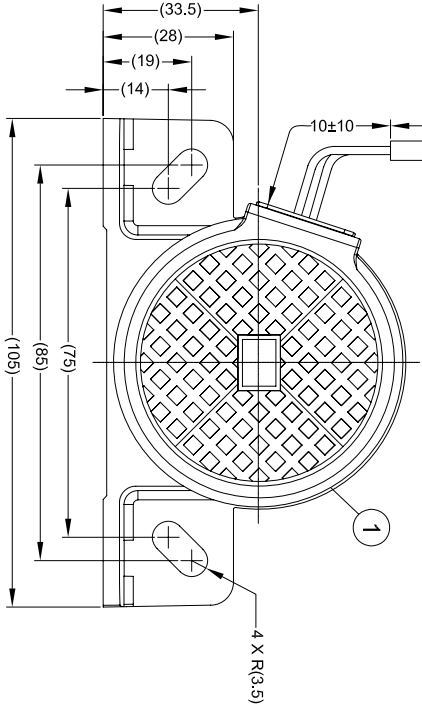
Revision Notes:
 1. PHOTO OF PRODUCT REPLACED WITH LINE DRAWING OF PRODUCT.
 Checked By: MBUTLER Approved By: DKERALI Date Released: 03/02/12

ITEM	STOCK CODE	QTY	DESCRIPTION
1	(# TBD)	1	BBS-87 ALARM ONLY
2	(# TBD)	1	ALARM WARNING STICKER (NOT SHOWN)
3	(# TBD)	1	FITTING INSTRUCTIONS (NOT SHOWN)

VIEW A



PIN #	WIRE COLOUR	DESCRIPTION
1	RED	12.24VDC
2	BLACK	GROUND



CHANGES FROM BASE PRODUCT BBS-87 (#0897A) TO BBS-87 (AMP) (#3998)

CHANGE:

1. 180MM OF B(105)40BK PVC 4MM ID 0.5MM WALL THICKNESS SLEEVE ADDED TO CABLE.
2. AMP CONNECTOR ADDED.
3. MODIFIED PRODUCT LABEL ADDED REF LATEST REVISION OF DRW BE-001921-XX-12 & TEMPLATE BE-001919-XX-12.
4. ORIGINAL GB LABEL COVERED WITH REF LATEST REVISION OF DRW BE-001922-XX-12 & TEMPLATE BE-001920-XX-12

OPERATION: SAME AS BASE PRODUCT

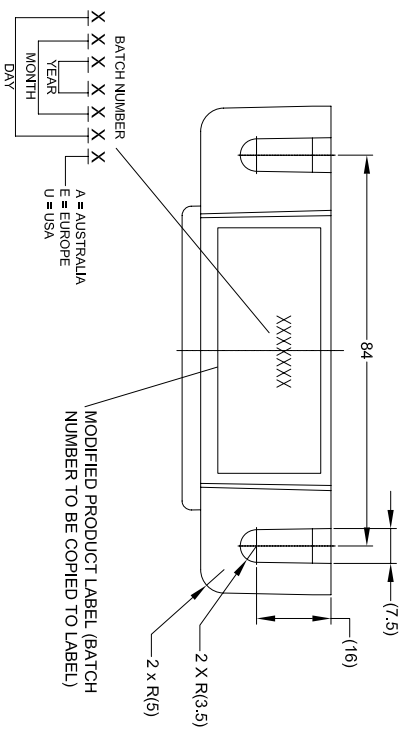
SPECIFICATION:

- RATED VOLTAGE: 12-24VDC (WORKING VOLTAGE 9-32VDC).
- RATED CURRENT: 0.2A OR LESS.
- SOUND PRESSURE: 87±4DECIBELS AT TEST VOLTAGE OF 14 AND 28 VOLTS.
- INTERMITTENCE: 80±10 CYCLES PER MINUTE AT TEST VOLTAGES 14 AND 28 VOLTS.
- tone: WHITE SOUND (pbs)
- ENVIRONMENTAL TEST: SUBJECT TO SAE J994.
- FINISH: MATT BLACK.
- MATERIAL: ABS PLASTIC.

NOTES:
 DIMENSIONS IN MM.

PROPRIETARY NOTICE

THIS DESIGN AND TECHNICAL INFORMATION APPEARING ON THIS DRAWING IS THE PROPERTY OF BRIGADE ELECTRONICS, AND IS DISCLOSED IN CONFIDENCE. IT IS NOT TO BE COPIED, REPRODUCED, REVISED TO OR EXPROPRIATED BY OTHERS, EITHER IN WHOLE OR IN PART WITHOUT THE EXPRESS WRITTEN CONSENT OF BRIGADE ELECTRONICS.



Assembly PI Approval	Approved by	Checked by	Drawn by
NMETHA 03/02/12	DKERALI	MBUTLER	BCHILDS

Angle of Projection	Units	Scale	Released	Assembly Ref
Third Angle	mm	N/A	03/02/12	BBS-87 (AMP)

Status	Stock Code
RELEASED	#3998

BRIGADE
 www.brigade-electronics.com

BBS-87 (AMP)
 BE-001711-01-11